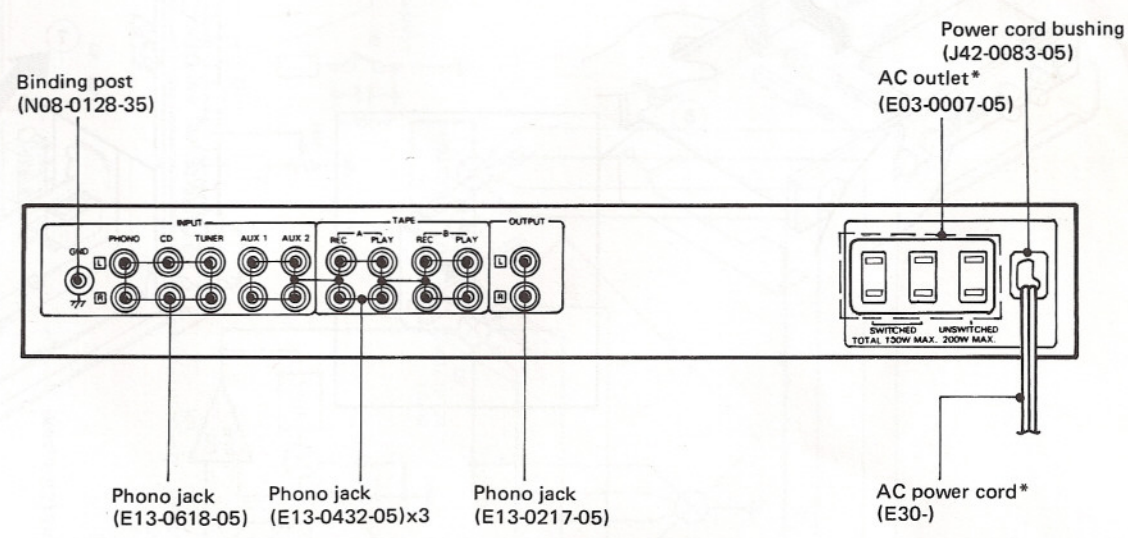
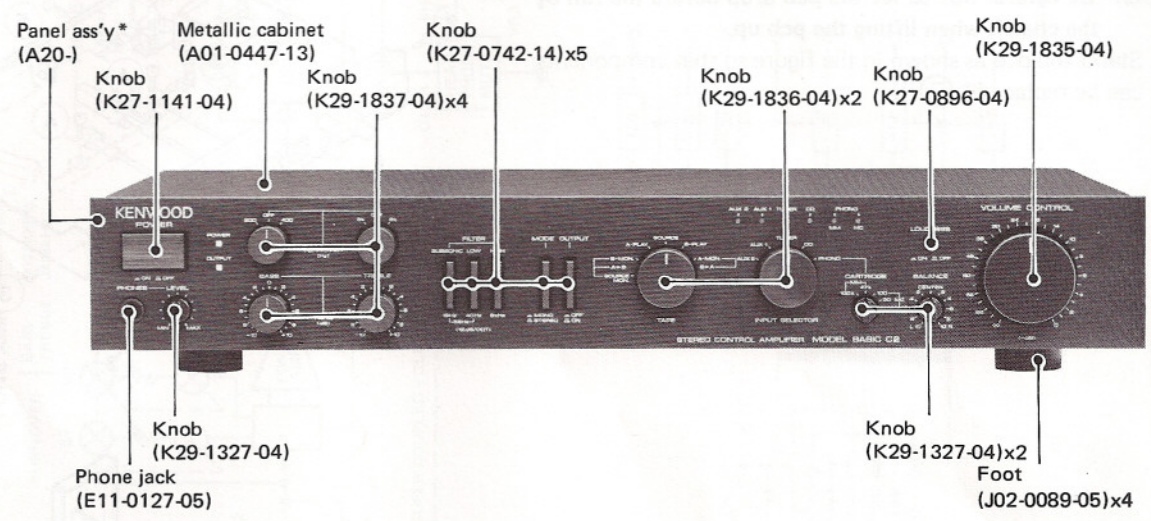


4193

SERVICE MANUAL



*Refer to Parts list on page 6.

Caution : On EXPLODED VIEW, parts with the exploded numbers larger than 700 are not supplied.

DISASSEMBLY FOR REPAIR

DISASSEMBLY FOR REPAIR

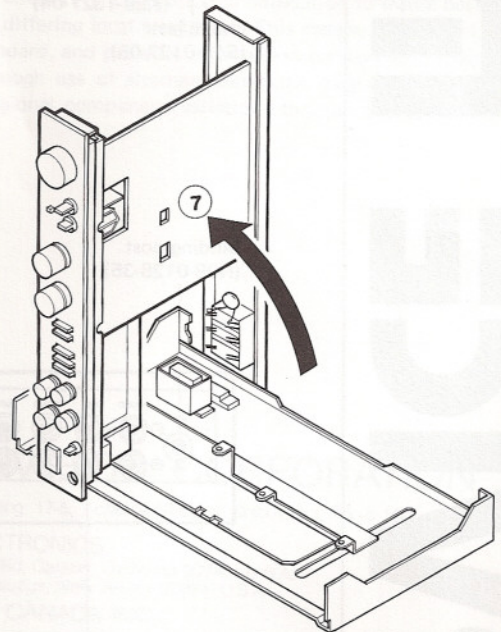
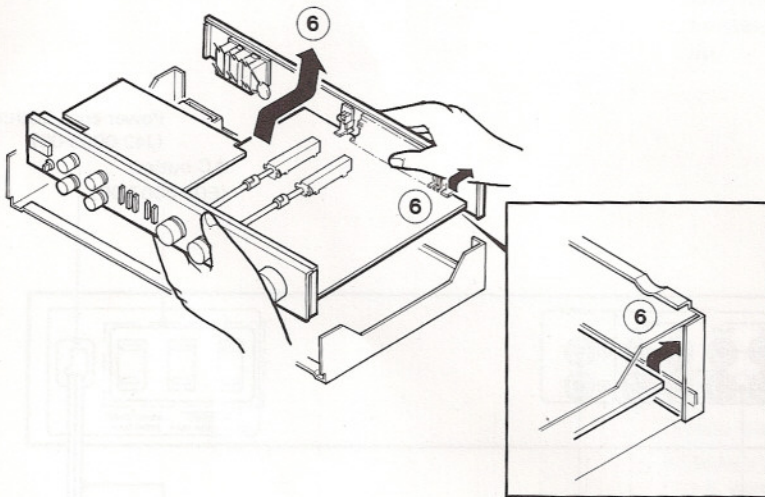
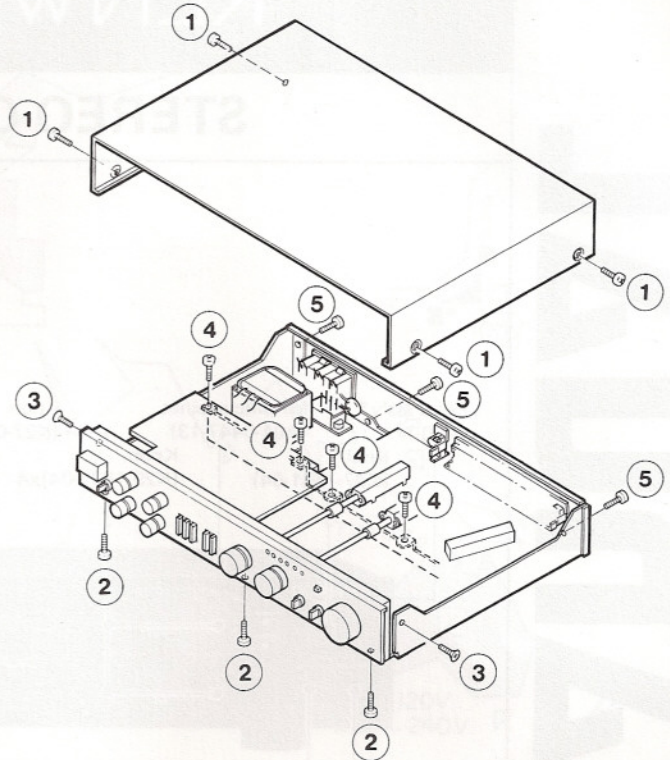
1. Remove the metallic cabinet (①).
2. Remove 3 screws retaining the panel ass'y from the bottom side (②). Remove 2 screws retaining the chassis and the sub panel (③).
3. Remove 4 screws retaining the pcb to the frame (④) and 3 screws at the rear panel (⑤).

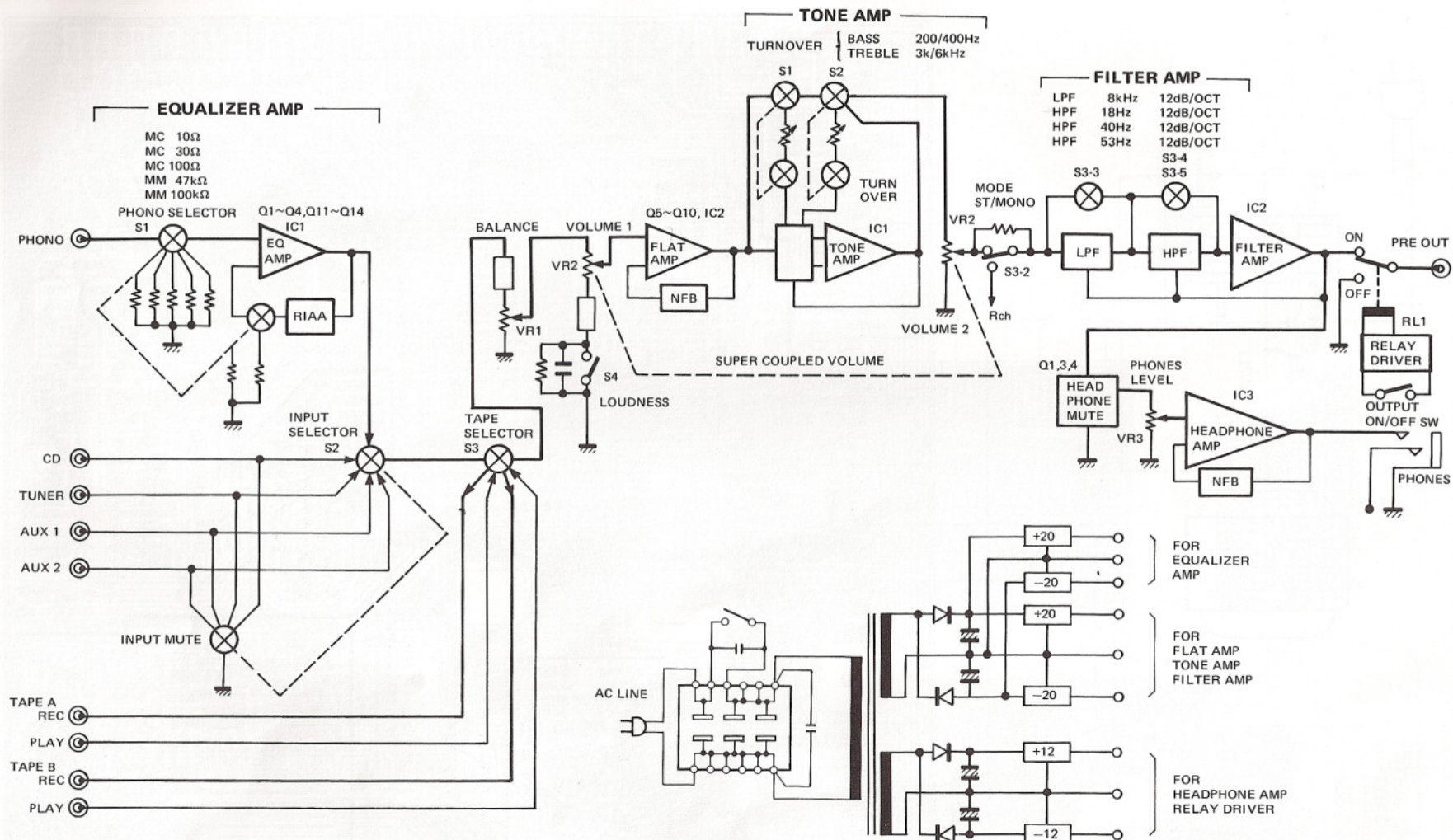
Now the pcb can be freed from the chassis with the front panel ass'y and the rear panel attached to the pcb.

4. Lift the front panel ass'y side a little and gradually lift the pcb holding the front and the rear panel (⑥).

Note: Be careful not to let the pcb drop before the rim of the chassis when lifting the pcb up.

5. Stand the pcb as shown in the figure so that components can be replaced (⑦).





BLOCK DIAGRAM

CIRCUIT DESCRIPTION

AUDIO UNIT (X09-2090-10)

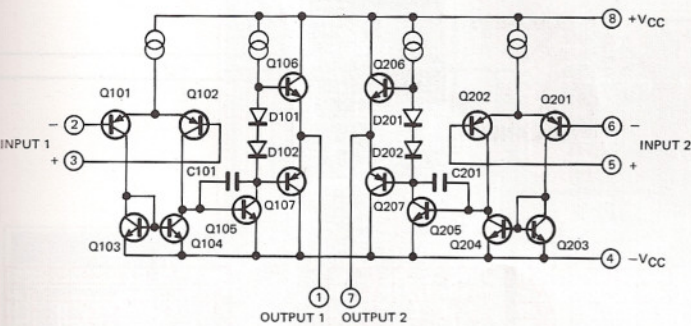
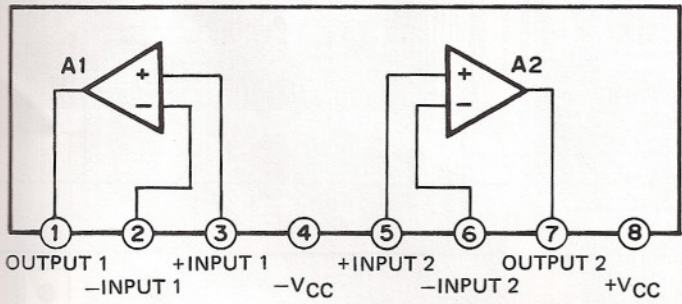
Semiconductor	Application and function	Operation, condition and interchangeability
Q1~Q4	EQ. 1st dif.	1st. differential amplifier
Q5, Q6	Flat amp 1st. dif.	1st. differential amplifier
Q7~Q10	Flat amp cathcade	Cathcade amplifier
Q11~Q14	EQ. cathcade	Cathcade amplifier
Q21~Q24	± Power supply	AVR for EQ. amplifier
Q25~Q28	± Power supply	AVR for Flat amplifier
Q29, Q30	± Power supply	AVR for Relay drive and LED
Q31~Q34	Relay drive circuit	Output muting
IC1	Amp.	EQ. amplifier
IC2	Amp.	Low noise flat amplifier

CONTROL UNIT (X11-2040-10)

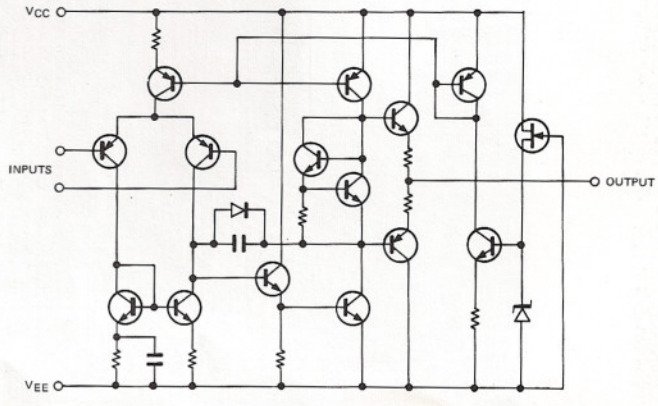
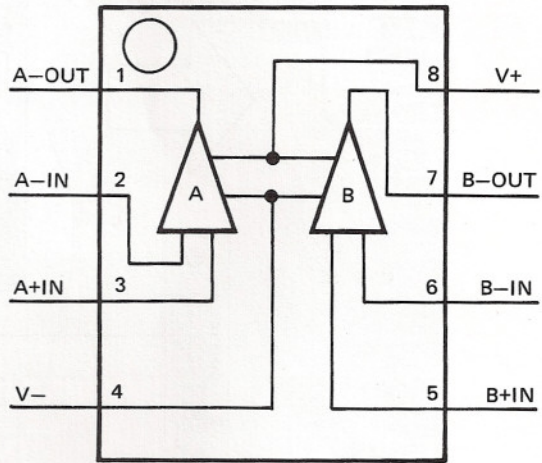
Name	Function	Description
IC1	Tone control	
IC2	Filter amp.	High cut, low cut and output buffer amp.
IC3	Headphone amp.	
Q1~Q3	Muting	Headphone muting

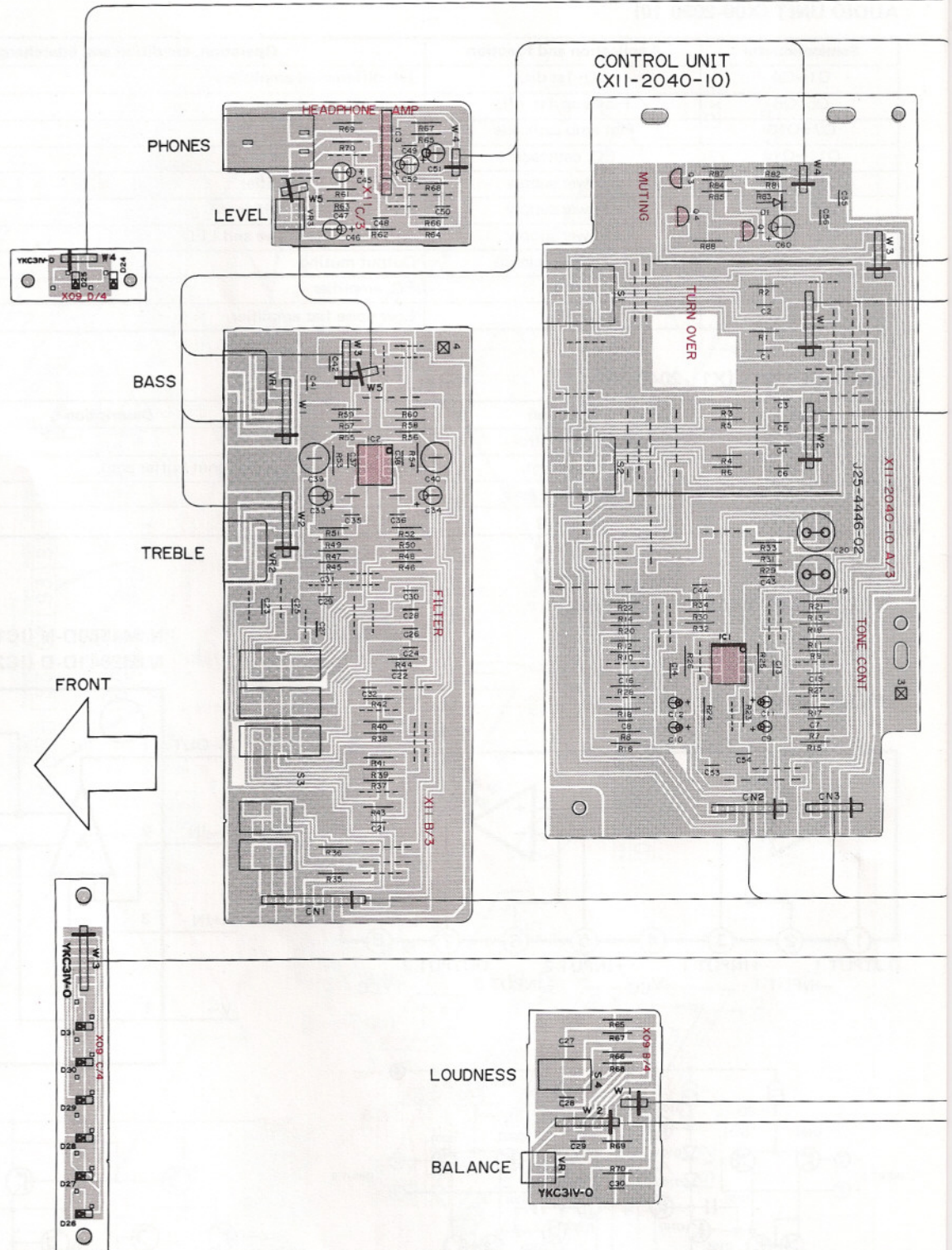
PIN CONNECTION AND DIAGRAM

M5218L (IC3)



NJM4560D-N (IC1,2) NJM2041D-D (IC2)





X09-2090-10

IC 1	IC 2	Q1~4	Q5,6	Q7~10	Q11~14	Q21				
1	0V	0V	4.1V	4.8V	4.1V	18.6V				
2	7.7V	8V	0V	0V	5.4V	4.7V				
3	7.7V	8V	0.2V	0.7V	8V	7.7V				
4	-18.8V	-18.6V								
5	7.7V	8V	Q22	Q25	Q26	Q29	Q30	Q31	Q32	
6	7.7V	8V	E	-18.8V	18.6V	-18.6V	12.2V	-12.5V	2V	2V
7	0V	0V	B	-14.4V	19.2V	-19.2V	13V	-13V	2.7V	0.5V
8	18.6V	18.6V	C	-28V	28V	-28V	15.5V	-17V	2.1V	9.7V

Q23	Q24	Q27	Q28	Q33	Q34		
D	25V	-19.4V	25V	-19.2V	E	0.6V	0V
G	19.4V	-25V	-19.2V	-25V	B	1.3V	0.6V
S	19.4V	-25V	-19.2V	-25V	C	0.7V	0.7V

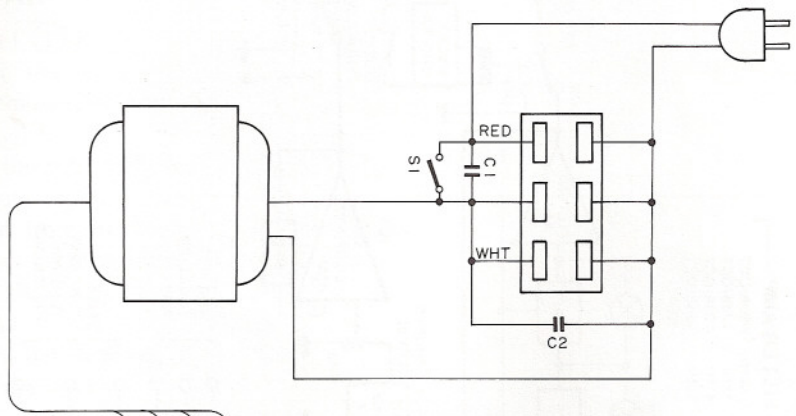
Caution : Some units employed diode E-272 instead of FET (Q23, 24, 27, 28) on X09-2090-10.
If you mount E-272, insert it as shown at right.



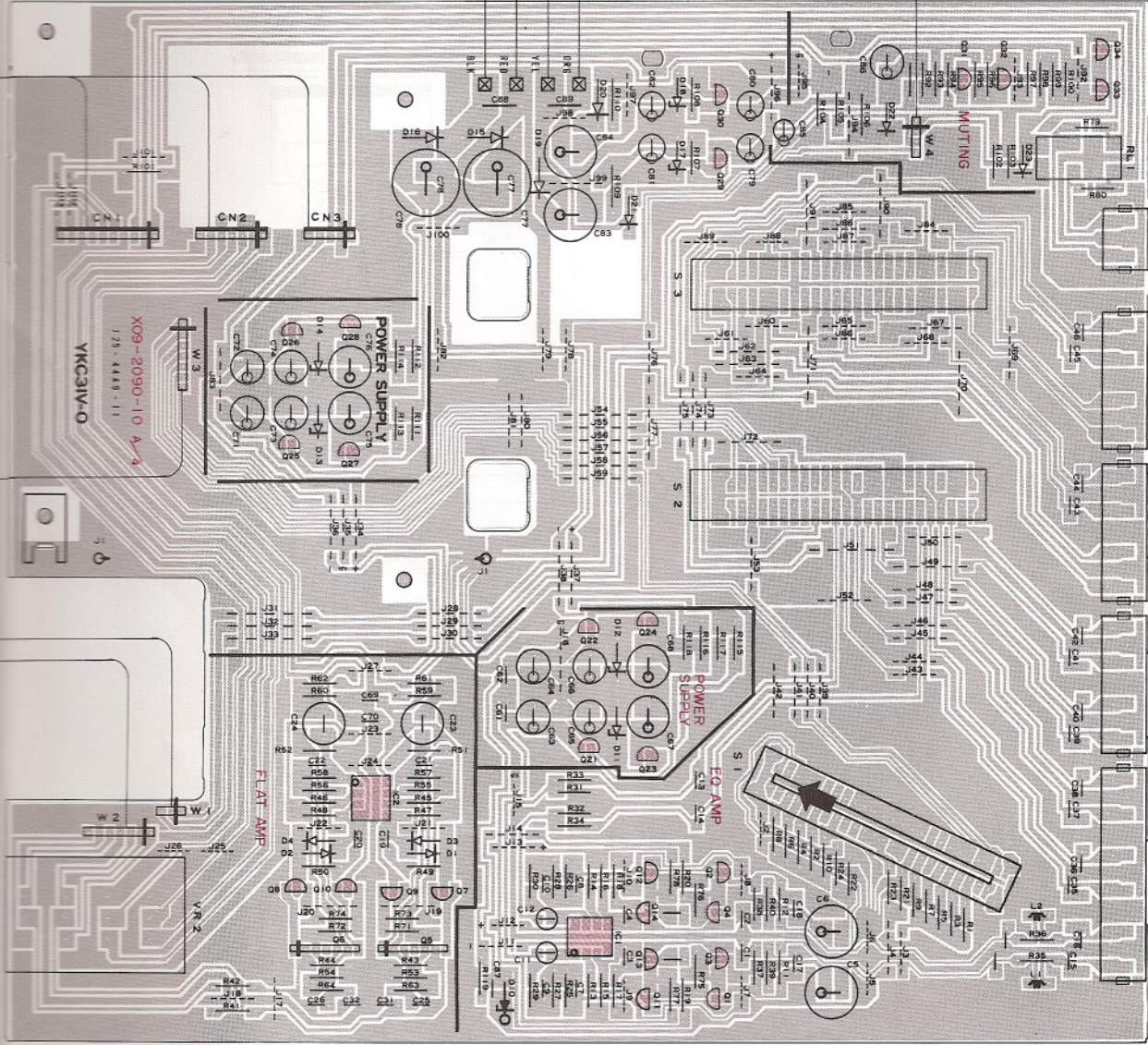
X11-2040-10

IC1,2	IC3
1	0V
2	0V
3	0V
4	-18.5V
5	0V
6	0V
7	0V
8	18.5V

Q 1	Q2,3
-12.5V	D
-11.5V	G
-12.4V	S
	0V



AUDIO UNIT (X09-2090-10)



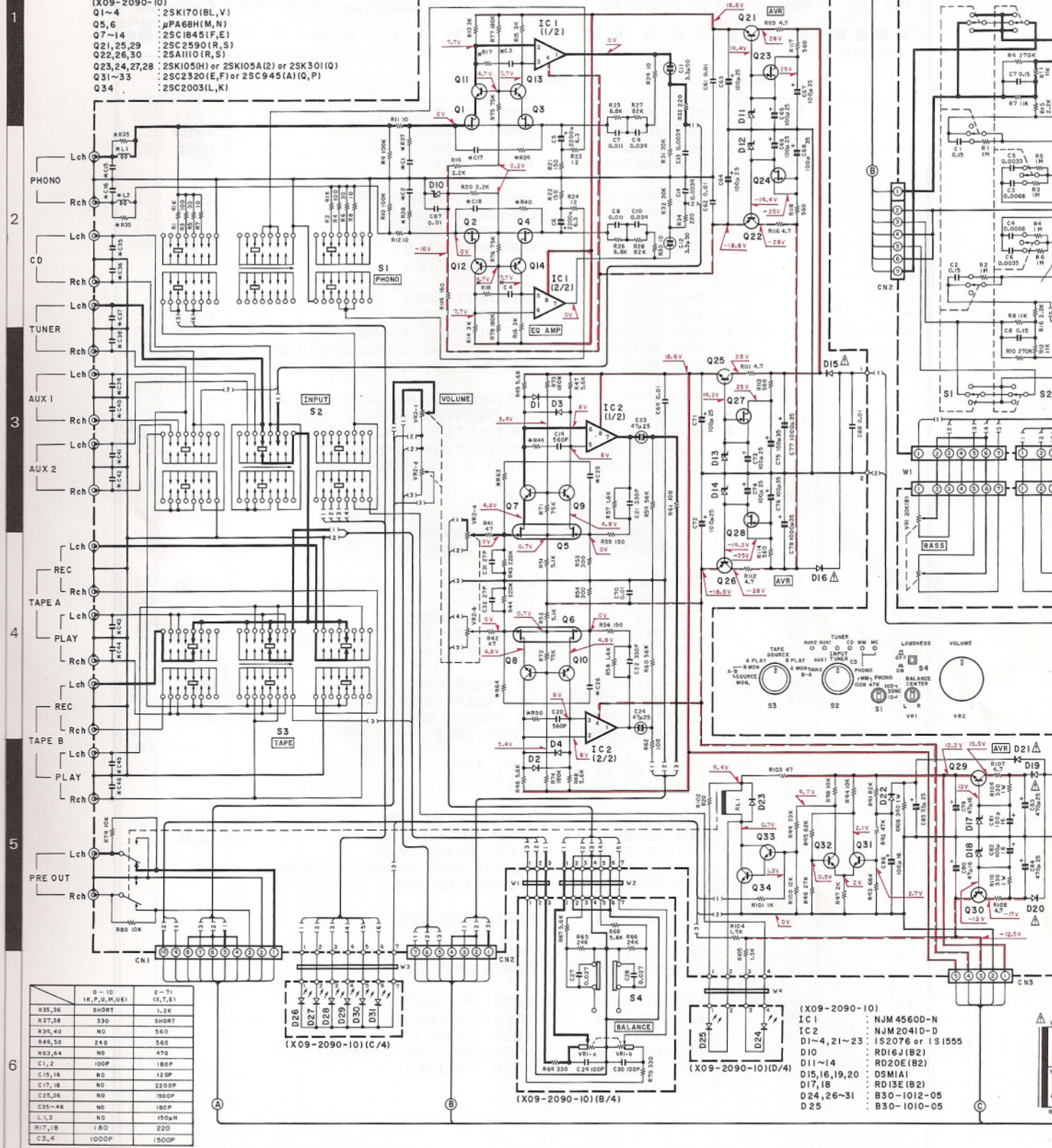
Refer to the schematic diagram for the values of resistors and capacitors.
The PC board drawing is viewed from the side easy to check.

A B C D E

- (X09-2090-10)
 Q1~4 : 2SK170(BL,V)
 Q5,6 : #PA68H(M,N)
 Q7~14 : 2SC1845(F,E)
 Q21,25,29 : 2SC2590(R,S)
 Q22,26,30 : 2SA1110(R,S)
 Q23,24,27,28 : 2SK105(H) or 2SK105A(2) or 2SK301(O)
 Q31~33 : 2SC2320(E,F) or 2SC945(A)(Q,P)
 Q34 : 2SC2003(L,K)

AUDIO UNIT (X09-2090-10)(A/4)

CONTROL UNIT (X11-2040-10)(A)



	0-10 (K,P,U,M,UE)	2-71 (X,T,E)
R35,36	SHORT	1.2K
R37,38	330	SHORT
R39,40	NO	560
R40,50	240	560
R63,64	NO	470
C1,2	100P	180P
C15,16	NO	120P
C17,18	NO	2200P
C25,26	NO	1500P
C29-46	NO	180P
L1,2	NO	150uH
R17,18	180	220
C2,4	1000P	1500P

(X09-2090-10)(C/4)

(X09-2090-10)(B/4)

(X09-2090-10)(D/4)

- (X09-2090-10)
 IC1 : NJM4560D-N
 IC2 : NJM2041D-D
 D1~4,21~23 : 1S2076 or 1S1555
 D10 : RD16J(B2)
 D11~14 : RD20E(B2)
 D15,16,19,20 : DSMIAI
 D17,18 : RD13E(B2)
 D24,26~31 : B30-1012-05
 D25 : B30-1010-05

2SC945 2SA1110 2SK105 UPA68H NJM2041D-D M5218L
 2SC1845 2SC2590 2SK105A NJM4560D-N

BASIC C2



SPECIFICATIONS

Performance

Input Sensitivity/Impedance/Signal-to-Noise Ratio (IHF A Curve)	
Phono MM	2.5 mV/30 k, 47 k, 100 k ohms/88 dB
Phono MC	200 μ V/100 ohms, 200 ohms/70 dB
CD, AUX, TUNER, TAPE	150 mV/47 k ohms/110 dB

Signal-to-Noise Ratio Unweighted at 50 mW (DIN)

Phono MM & MC	73 dB
CD, AUX, TUNER, TAPE	79 dB
Maximum Input Voltage for Phono MM	200 mV, T.H.D. 0.002%
Maximum Input Voltage for Phono MC	15 mV, T.H.D. 0.002%

Frequency Response

Phono MM & MC	20 Hz - 20 kHz \pm 0.3 dB
CD, AUX, TUNER, TAPE	1 Hz - 350 kHz (-3 dB)

Tone Control

BASS turnover: 400 Hz	100 Hz \pm 10 dB
turnover: 200 Hz	50 Hz \pm 10 dB
TREBLE turnover: 3 kHz	10 kHz \pm 10 dB
turnover: 6 kHz	20 kHz \pm 10 dB

Filter

Subsonic	18 Hz, 12 dB/Octave
Low	40 Hz, 12 dB/Octave
Subsonic + Low	58 Hz, 12 dB/Octave
High	8 kHz, 12 dB/Octave

Transient Response

Rise Time	1.0 μ s
-----------	-------------

Total Harmonic Distortion

CD, AUX, TUNER, TAPE	20 Hz - 20 kHz	0.001% at 1 V Output
Phono MM & MC	20 Hz - 20 kHz	0.002%

Output Voltage & Impedance

TAPE REC	150 mV, 220 ohms
PRE OUT	1,000 mV, 100 ohms

Loudness Control

(at VOLUME - 30 dB)	100 Hz, +6 dB
(at VOLUME - 40 dB)	100 Hz, +9 dB

General

Power Requirement	120 V 60 Hz (U.S.A. & Canada models)
	220 V 50 Hz (European models) or
	120 V/220 (240) V 50/60 Hz switchable

Power Consumption

AC Outlet	1 Unswitched, 2 Switched (Except European/Australian countries)
-----------	---

Dimensions

W	440 mm (17-5/16")
H	78 mm (3-1/16")
D	320 mm (12-19/32")

Weight (Net)

	4.5 kg (9.9 lb)
--	-----------------

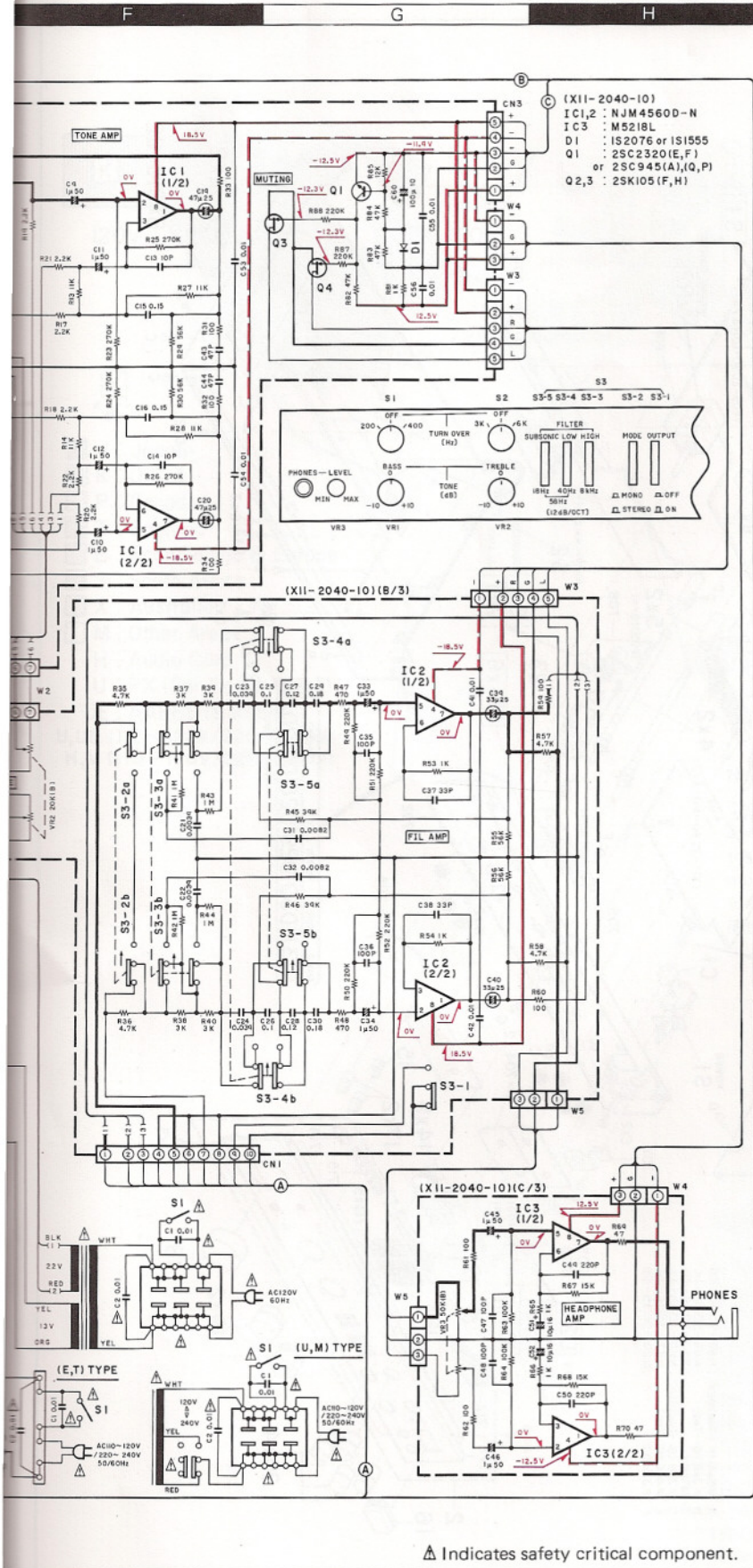
Kenwood follows a policy of continuous advancements in development. For this reason specifications may be changed without notice.

Kenwood poursuit une politique de progrès constants en ce qui concerne le développement. Pour cette raison, les spécifications sont sujettes à modifications sans préavis.

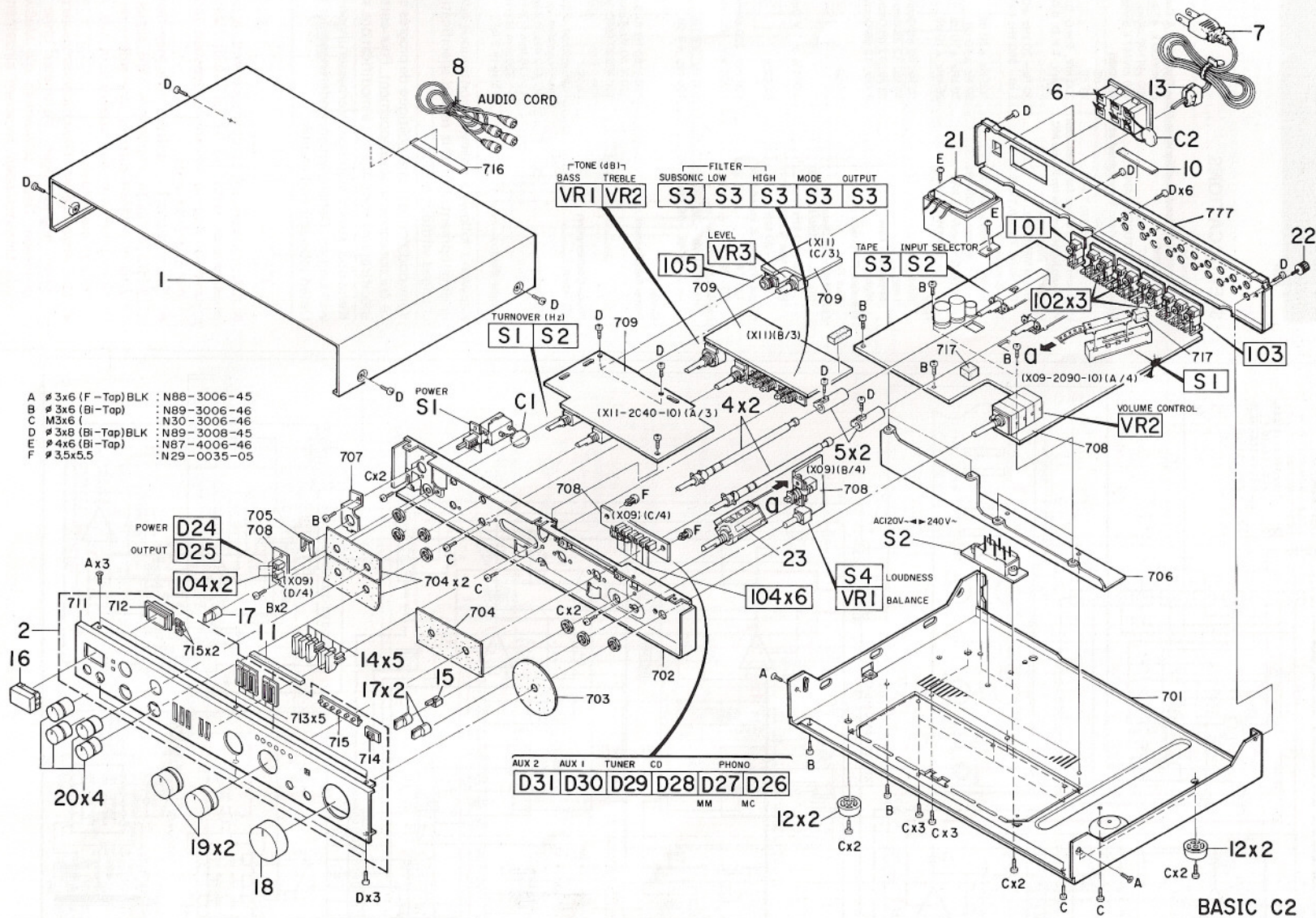
Kenwood strebt ständige Verbesserungen in der Entwicklung an. Daher bleiben Änderungen der technischen Daten jederzeit vorbehalten.

- DC voltages are as measured with a high impedance voltmeter with no signal input. Values may vary slightly due to variations between individual instruments or/and units.
- Les tensions c.c. doivent être mesurées avec un voltmètre à haute impédance sans signal d'entrée. Les valeurs peuvent différer légèrement du fait des variations inhérentes aux appareils et aux instruments de mesure individuels.
- Die angegebenen Gleichspannungswerte wurden mit einem hochohmigen Voltmeter ohne Eingangssignal gemessen. Dabei schwanken die Meßwerte aufgrund von Unterschieden zwischen einzelnen Instrumenten oder Geräten u.U. geringfügig.

AMPLIFIER



CAUTION: For continued safety, replace safety critical components only with manufacturer's recommended parts (refer to parts list). ▲ Indicates safety critical components. To reduce the risk of electric shock, leakage-current or resistance measurements shall be carried out (exposed parts are acceptably insulated from the supply circuit) before the appliance is returned to the customer.



- A # 3x6 (F-Tap) BLK : N88-3006-45
- B # 3x6 (BI-Tap) : N89-3006-46
- C M3x6 (: N30-3006-46
- D # 3x8 (BI-Tap) BLK : N89-3008-45
- E # 4x6 (BI-Tap) : N87-4006-46
- F # 3,5x5,5 : N29-0035-05

AUX 2	AUX 1	TUNER	CD	PHONO
D31	D30	D29	D28	D27
			MM	MC
			D26	

BASIC C2

EXPLODED VIEW

BASIC C2

Parts with the exploded numbers larger than 700 are not supplied.

PARTS LIST

× New Parts
 Parts without Parts No. are not supplied.
 Les articles non mentionnés dans le Parts No. ne sont pas fournis.
 Teile ohne Parts No. werden nicht geliefert.

Ref. No. 参照番号	Address 位置	New Parts 新	Parts No. 部品番号	Description 部品名 / 規格	Desti- nation 仕 向	Re- marks 備考
BASIC C2						
1	1A		A01-0447-13	METALLIC CABINET		
2	2A	*	A20-4038-02	PANEL ASSY	KPUM	
2	2A	*	A20-4038-02	PANEL ASSY	<u>UE</u>	
2	2A	*	A20-4040-02	PANEL ASSY	T	
-			B46-0092-03	WARRANTY CARD	K	
-			B46-0093-03	WARRANTY CARD	P	
-			B46-0094-03	WARRANTY CARD	<u>UE</u>	
-			B46-0095-03	WARRANTY CARD	<u>UE</u>	
-			B46-0096-03	WARRANTY CARD	X	
-			B46-0097-03	WARRANTY CARD	T	
-			B46-0098-03	WARRANTY CARD	E	
-		*	B50-5296-00	INSTRUCTION MANUAL (ENGLISH)	KPUM	
-		*	B50-5296-00	INSTRUCTION MANUAL (ENGLISH)	<u>UE</u>	
-		*	B50-5297-00	INSTRUCTION MANUAL (FRENCH)	PMXE	
-		*	B50-5298-00	INSTRUCTION MANUAL (SPANISH)	M	
-		*	B50-5299-00	INSTRUCTION MANUAL (ARABIC)	M	
-		*	B50-5300-00	INSTRUCTION MANUAL (ENGLISH)	T	
-		*	B50-5301-00	INSTRUCTION MANUAL (G,D,I)	E	
-			B59-0092-00	SERVICE DIRECTORY	<u>UE</u>	
△ C1	1B		C91-0647-05	CERAMIC 0.01UF P		
4	1B	*	D21-1045-03	EXTENSION SHAFT		
5	1B		D22-0047-04	SHAFT COUPLING		
△ 6	1C		E03-0007-05	AC OUTLET	KPUM	
△ 6	1C		E03-0007-05	AC OUTLET	<u>UE</u>	
△ 7	1C		E30-0181-05	AC POWER CORD	K	
△ 7	1C		E30-0459-05	AC POWER CORD	E	
△ 7	1C		E30-0587-15	AC POWER CORD	T	
△ 7	1C		E30-0712-05	AC POWER CORD	<u>UMUE</u>	
△ 7	1C		E30-0780-05	AC POWER CORD	P	
△ 7	1C		E30-1341-05	AC POWER CORD	X	
8	1B		E30-0505-05	AUDIO CORD		
10	1C		G11-0128-14	SOFT TAPE		
11	2A		G11-0135-04	SOFT TAPE		
-		*	H01-5218-04	ITEM CARTON CASE	KPUM	
-		*	H01-5218-04	ITEM CARTON CASE	<u>UE</u>	
-		*	H01-5219-04	ITEM CARTON CASE	T	
-			H10-1538-13	POLYSTYRENE FOAMED FIXTURE		
-			H25-0078-04	PROTECTION BAG		
-			H25-0216-04	PROTECTION BAG		
12	2B, 2C		J02-0089-05	FOOT		
△ 13	1C		J42-0083-05	POWER CORD BUSHING		
14	2A		K27-0742-14	KNOB (FILTER)		
15	2B		K27-0896-04	KNOB (LOUDNESS)		
16	2A		K27-1141-04	KNOB (POWER)		
17	2A, 2B		K29-1327-04	KNOB (BAL., CART., PHONES)		
18	2A	*	K29-1835-04	KNOB (VOLUME)		

E: Scandinavia & Europe H: Audio Club K: USA P: Canada

S: South Africa T: England U: PX (Far East, Hawaii)

UE: AAFES (Europe) X: Australia M: Other Areas

△ indicates safety critical components.

PARTS LIST

* New Parts

Parts without Parts No. are not supplied.

Les articles non mentionnés dans le Parts No. ne sont pas fournis.

Teile ohne Parts No. werden nicht geliefert.

Ref. No. 参照番号	Address 位置	New Parts 新	Parts No. 部品番号	Description 部品名 / 規格	Desti- nation 仕 向	Re- marks 備考
19	2A	*	K29-1836-04	KNØB (INPUT, TAPE)		
20	2A	*	K29-1837-04	KNØB (TØNE)		
Δ 21	1C		L01-2771-15	POWER TRANSFORMER	K	
Δ 21	1C		L01-2776-05	POWER TRANSFORMER	UMJEX	
Δ 21	1C		L01-2776-05	POWER TRANSFORMER	TE	
Δ 21	1C		L01-2777-05	POWER TRANSFORMER	P	
22	1C		N08-0128-35	BINDING POST		
23	2B	*	S90-0077-05	REMOTE SWITCH SHAFT		
Δ S1	1B		S40-1073-05	PUSH SWITCH		
Δ S2	2C		S31-2053-05	SLIDE SWITCH (POWER TYPE)	UMJEX	
Δ S2	2C		S31-2053-05	SLIDE SWITCH (POWER TYPE)	TE	
AUDIO (X09-2090-10)						
D24			B30-1012-05	LED		
D25			B30-1010-05	LED		
D26 -31			B30-1012-05	LED		
C1 ,2			CC45FSL1H101J	CERAMIC 100PF J	KPUM	
C1 ,2			CC45FSL1H101J	CERAMIC 100PF J	UE	
C1 ,2			CC45FSL1H181J	CERAMIC 180PF J	XTE	
C3 ,4			CK45FB1H102K	CERAMIC 0.001UF K		
C5 ,6			CE04FW0J222MEL	ELECTRØ 2200UF 6.3WV		
C7 ,8			CF92FV1H113J	MF 0.011UF J		
C9 ,10			CF92FV1H393J	MF 0.039UF J		
C11 ,12			CE04HW1H3R3MEL	NP-ELEC 3.3UF 50WV		
C13 ,14			CF92FV1H392J	MF 3900PF J		
C15 ,16			CC45FSL1H121J	CERAMIC 120PF J	XTE	
C17 ,18			CK45FB1H222K	CERAMIC 2200PF K	XTE	
C19 ,20			CK45FB1H561K	CERAMIC 560PF K		
C21 ,22			CC45FSL1H331J	CERAMIC 330PF J		
C23 ,24			CE04HW1E470MEL	NP-ELEC 47UF 25WV		
C25 ,26			CK45FB1H152K	CERAMIC 1500PF K	XTE	
C27 ,28			CF92FV1H273J	MF 0.027UF J		
C29 ,30			CC45FSL1H101J	CERAMIC 100PF J		
C31 ,32			CC45FSL1H270J	CERAMIC 27PF J		
C35 -46			CC45FSL1H181J	CERAMIC 180PF J	XTE	
C61 ,62			CF92FV1H103J	MF 0.010UF J		
C63 -66			CE04FW1E101MEL	ELECTRØ 100UF 25WV		
C67 ,68			CE04FW1V101MEL	ELECTRØ 100UF 35WV		
C69 ,70			CF92FV1H103J	MF 0.010UF J		
C71 -74			CE04FW1E101MEL	ELECTRØ 100UF 25WV		
C75 ,76			CE04FW1V101MEL	ELECTRØ 100UF 35WV		
C77 ,78		*	CE04FW1V102MEL	ELECTRØ 1000UF 35WV		
C79 ,80			CE04FW1C470MEL	ELECTRØ 47UF 16WV		
C81 ,82			CE04FW1C101MEL	ELECTRØ 100UF 16WV		
C83 ,84		*	CE04FW1E471MEL	ELECTRØ 470UF 25WV		
C85			CE04FW1E330MEL	ELECTRØ 33UF 25WV		
C86			CE04FW1C101MEL	ELECTRØ 100UF 16WV		
C87			CF92FV1H103J	MF 0.010UF J		
C88 ,89			CK45FE2H103P	CERAMIC 0.010UF P		
101	1C		E13-0217-05	PHØNØ JACK (2P)		
102	1C		E13-0432-05	PHØNØ JACK (4P)		
103	1C		E13-0618-05	PHØNØ JACK (6P)		
104	2A,2B		J19-0862-04	LED HOLDER		

E: Scandinavia & Europe H: Audio Club K: USA P: Canada

S: South Africa T: England U: PX(Far East, Hawaii)

UE: AAFES(Europe) X: Australia M: Other Areas

⚠ indicates safety critical components.

PARTS LIST

※ New Parts
 Parts without Parts No. are not supplied.
 Les articles non mentionnés dans le Parts No. ne sont pas fournis.
 Teile ohne Parts No. werden nicht geliefert.

Ref. No. 参照番号	Address 位置	New Parts 新	Parts No. 部品番号	Description 部品名 / 規格	Desti- nation 仕 向	Re- marks 備考
L1 ,2			L40-1511-43	SMALL FIXED INDUCTOR	XTE	
R103		*	RD14AB2E470JTS	FL-PROOF RD 47 J 1/4W		
R106		*	RS14DB3A391JTE	FL-PROOF RS 390 J 1W		
R107,108			RD14AB2E4R7JTS	FL-PROOF RD 4.7 J 1/4W		
R109,110		*	RS14DB3A331JTE	FL-PROOF RS 330 J 1W		
R111,112			RD14AB2E4R7JTS	FL-PROOF RD 4.7 J 1/4W		
R113,114			RD14AB2E561JTS	FL-PROOF RD 560 J 1/4W		
R115,116			RD14AB2E4R7JTS	FL-PROOF RD 4.7 J 1/4W		
R117,118			RD14AB2E561JTS	FL-PROOF RD 560 J 1/4W		
VR1		*	R10-5017-05	POTENTIOMETER		
VR2		*	R11-9016-05	POTENTIOMETER		
RL1		*	S51-2069-05	MAGNETIC RELAY		
S1		*	S90-0082-05	SLIDE SWITCH		
S2		*	S29-1141-05	ROTARY SLIDE SWITCH		
S3			S29-6010-05	ROTARY SLIDE SWITCH		
S4		*	S40-2331-05	PUSH SWITCH		
D1 -4			1S1555	DIODE		
D1 -4			1S2076	DIODE		
D10			RD16J(B2)	ZENER DIODE		
D11 -14		*	RD20E(B2)	ZENER DIODE		
D15 ,16			DSM1A1	DIODE		
D17 ,18			RD13E(B2)	ZENER DIODE		
D19 ,20			DSM1A1	DIODE		
D21 -23			1S1555	DIODE		
D21 -23			1S2076	DIODE		
IC1			NJM4560D-N	IC		
IC2			NJM2041D-D	IC		
Q1 -4			2SK170(BL)	FET		
Q1 -4			2SK170(V)	FET		
Q5 ,6		*	UPA68H(M,N)	DUAL FET		
Q7 -14			2SC1845(F,E)	TRANSISTOR		
Q21			2SC2590(R,S)	TRANSISTOR		
Q22			2SA1110(R,S)	TRANSISTOR		
Q23 ,24			2SK105(H)	FET		
Q23 ,24			2SK105A(2)	FET		
Q23 ,24			2SK301(Q)	FET		
Q25			2SC2590(R,S)	TRANSISTOR		
Q26			2SA1110(R,S)	TRANSISTOR		
Q27 ,28			2SK105(H)	FET		
Q27 ,28			2SK105A(2)	FET		
Q27 ,28			2SK301(Q)	FET		
Q29			2SC2590(R,S)	TRANSISTOR		
Q30			2SA1110(R,S)	TRANSISTOR		
Q31 -33			2SC2320(E,F)	TRANSISTOR		
Q31 -33			2SC945(A)(Q,P)	TRANSISTOR		
Q34			2SC2003(L,K)	TRANSISTOR		
CONTROL (X11-2040-10)						
C1 ,2			CF92FV1H154J	MF 0.15UF J		
C3 ,4			CF92FV1H682J	MF 6800PF J		
C5 ,6			CF92FV1H332J	MF 3300PF J		
C7 ,8			CF92FV1H154J	MF 0.15UF J		
C9 -12			CE04JW1H010M	ELECTRON 1.0UF 50WV		
C13 ,14			CC45FSL1H100D	CERAMIC 10PF D		
C15 ,16			CF92FV1H154J	MF 0.15UF J		

E: Scandinavia & Europe H: Audio Club K: USA P: Canada

S: South Africa T: England U: PX(Far East, Hawaii)

UE: AAFES(Europe) X: Australia M: Other Areas

⚠ indicates safety critical components.

PARTS LIST

* New Parts
 Parts without Parts No. are not supplied.
 Les articles non mentionnés dans le Parts No. ne sont pas fournis.
 Teile ohne Parts No. werden nicht geliefert.

Ref. No. 参照番号	Address 位置	New Parts 新	Parts No. 部品番号	Description 部品名 / 規格	Desti- nation 仕 向	Re- marks 備考
C19 ,20			CE04HW1E470MEL	NP-ELEC 47UF 25WV		
C21 ,22			CF92FV1H392J	MF 3900PF J		
C23 ,24			CF92FV1H393J	MF 0.039UF J		
C25 ,26			CF92FV1H104J	MF 0.10UF J		
C27 ,28			CF92FV1H124J	MF 0.12UF J		
C29 ,30			CF92FV1H184J	MF 0.18UF J		
C31 ,32			CF92FV1H822J	MF 8200PF J		
C33 ,34			CE04FW1H010MEL	ELECTR0 1.0UF 50WV		
C35 ,36			CC45FSL1H101J	CERAMIC 100PF J		
C37 ,38			CC45FSL1H330J	CERAMIC 33PF J		
C39 ,40		*	CE04HW1E330MEL	NP-ELEC 33UF 25WV		
C41 ,42			CF92FV1H103J	MF 0.010UF J		
C43 ,44			CC45FSL1H470J	CERAMIC 47PF J		
C45 ,46			CE04FW1H010MEL	ELECTR0 1.0UF 50WV		
C47 ,48			CC45FSL1H101J	CERAMIC 100PF J		
C49 ,50			CC45FSL1H221J	CERAMIC 220PF J		
C51			CE04FW1C100MEL	ELECTR0 10UF 16WV		
C52			CE04FW1C100MEL	ELECTR0 10UF 16WV		
C53 -56			CF92FV1H103J	MF 0.010UF J		
C60			CE04FW1A101MEL	ELECTR0 100UF 10WV		
105	2A		E11-0127-05	PHONE JACK		
R69 ,70		*	RD14GB2E470JTS	FL-PROOF RD 47 J 1/4W		
VR1 ,2		*	R06-3047-05	POTENTIOMETER		
VR3		*	R10-4019-05	POTENTIOMETER		
S1 ,2		*	S29-2030-05	ROTARY SWITCH		
S3		*	S42-5039-05	MULTIPLE PUSH SWITCH		
D1			1S1555	DIODE		
D1			1S2076	DIODE		
IC1 ,2			NJM4560D-N	IC		
IC3			M5218L	IC		
Q1			2SC2320(E,F)	TRANSISTOR		
Q1			2SC945(A)(Q,P)	TRANSISTOR		
Q3 ,4			2SK105(F,H)	FET		

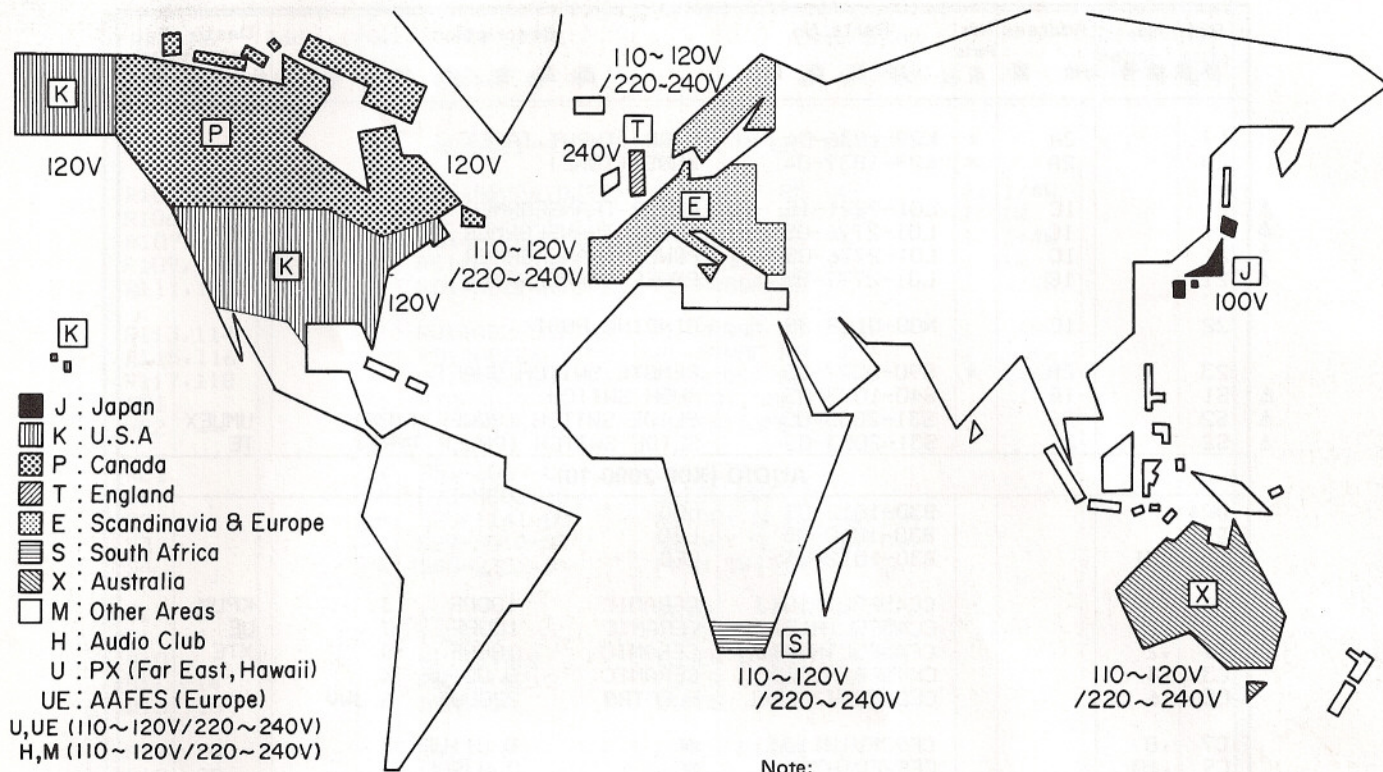
E: Scandinavia & Europe H: Audio Club K: USA P: Canada

S: South Africa T: England U: PX(Far East, Hawaii)

UE: AAFES(Europe) X: Australia M: Other Areas

⚠ indicates safety critical components.

WORLD MAP & AREA CORD



Note:

Component and circuitry are subject to modification to insure best operation under differing local conditions. This manual is based on, the U.S. (K) standard, and provides information on regional circuit modification through use of alternate schematic diagrams, and information on regional component variations through use of parts list.

TRIO-KENWOOD CORPORATION

Shionogi Shibuya Building, 17-5, 2-chome Shibuya, Shibuya-ku, Tokyo 150, Japan

KENWOOD ELECTRONICS

1315 E. Watsoncenter Rd, Carson, California 90745, U.S.A.
 75 Seaview Drive, Secaucus, New Jersey 07094, U.S.A.

TRIO-KENWOOD CANADA INC.

1070 Jayson Court, Mississauga, Ontario, Canada L4W 2V5

TRIO-KENWOOD ELECTRONICS, N.V.

Leuvensesteenweg 504 B-1930 Zaventem, Belgium

TRIO-KENWOOD ELECTRONICS GmbH

Rudolf-Brass-Str. 20, 6056 Heusenstamm, West Germany

TRIO-KENWOOD FRANCE S.A.

5, Boulevard Ney, 75018 Paris, France

TRIO-KENWOOD (AUSTRALIA) PTY. LTD. (INCORPORATED IN N.S.W.)

4E Woodcock Place, Lane Cove, N.S.W. 2066, Australia

KENWOOD & LEE ELECTRONICS, LTD.

Wang Kee Building, 5th Floor, 34-37, Connaught Road, Central, Hong Kong